

Troubleshooting

Problem	Possible cause	Solution
The vacuum cleaner will not charge.	The mains power adaptor is not securely connected.	Secure the vacuum cleaner into the charging base and then switch it on at the mains power supply.
	The vacuum cleaner isn't fully inserted into the charging base.	Check that the vacuum cleaner is fully secured into the charging base.
The suction is poor.	The air inlet or attachment is blocked.	Disconnect the attachment and clear any blockage.
	The dust container is almost full.	Empty the dust container following the instructions in the section entitled 'Emptying the dust container' .
	The HEPA filter is blocked.	Clean the filter following the instructions in the section entitled 'Cleaning the HEPA filter and filter cone' .
	The battery is running out of charge.	Recharge the vacuum cleaner following the instructions in the section entitled 'Charging the vacuum cleaner' .
The vacuum cleaner is being used on the minimum speed setting.	The vacuum cleaner is being used on the minimum speed setting.	Engage the higher speed setting using the speed control button.
	The battery has run out of charge.	Recharge the vacuum cleaner following the instructions in the section entitled 'Charging the vacuum cleaner' .

Specifications

Product code: BEL0944

Battery: 11.1 V \approx 2200 mAh Li-ion (included)

Adaptor input: 100–240 V \sim 50/60 Hz 0.4 A

Adaptor output: 14 V \approx 0.5 A 7.0 W

Average active efficiency: 79.84%

Efficiency at low load (10%): 66.82%

No load power consumption: 0.094 W

Dust container capacity: 100 ml

**UK
CA
CE**

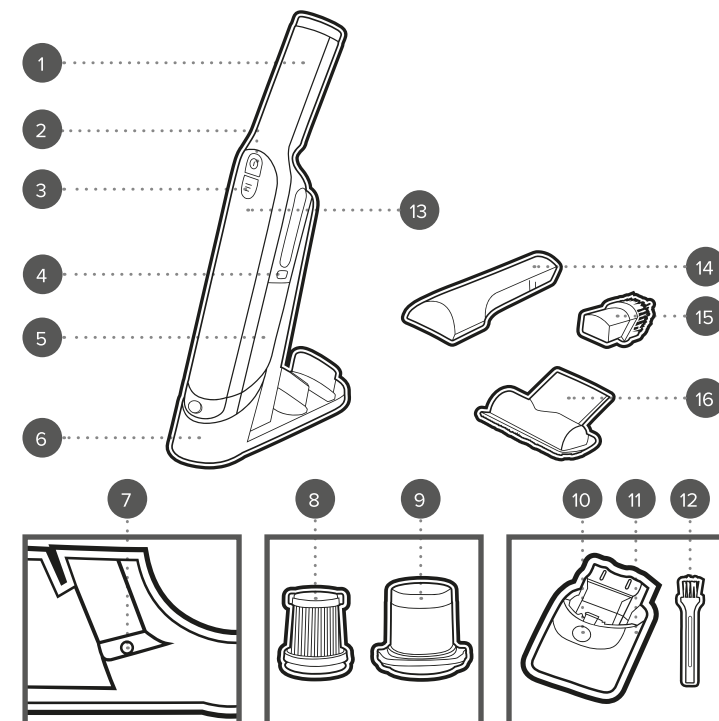
Disposal of Waste Batteries and Electrical and Electronic Equipment



This product is labelled with this crossed out wheel bin symbol in accordance with European Directive 2012/19/EC to indicate that it must not be disposed of with your other household waste. Due to the presence of hazardous substances, mixtures or components, electrical and electronic devices that are not subject to selective sorting are potentially dangerous to the environment and human health. Please check your local city office or waste disposal service for the return and recycling of this product.

User manual

Cordless vac



- | | |
|---------------------------------------|---|
| 1. Vacuum cleaner main unit | 9. Filter cone |
| 2. Power button | 10. Dust container front release button |
| 3. Speed control button | 11. Dust container cover |
| 4. Dust container rear release button | 12. Filter cleaning brush |
| 5. Dust container | 13. Indicator light |
| 6. Charging base | 14. Crevice tool |
| 7. Charging port | 15. Brush tool |
| 8. HEPA filter | 16. Upholstery tool |

Manufactured by:
Ultimate Products UK Ltd.,
Victoria Street, Manchester OL9 0DD. **UK.**
Ultimate Products Europe Ltd.,
19 Baggot Street Lower, Dublin D02 X658. **ROI.**

MADE IN CHINA.

CD150922/MD111124/V5

Please retain instructions for future reference.

Dos and don'ts

DO:

Check that the HEPA filter is kept clear of obstruction.

Make sure that the dust container and HEPA filter are cleaned regularly to preserve suction and prolong the life of the vacuum cleaner.

DON'T:

Use the vacuum cleaner without the HEPA filter or dust container in position.

Use the charging adaptor in high humidity conditions.

Care and maintenance

Always unplug the vacuum cleaner from the mains power supply before attempting any cleaning or maintenance.

Wipe the external surface of the vacuum cleaner with a soft, damp cloth and allow to dry thoroughly.

Do not use any detergents or harsh cleaning agents to clean any part of the vacuum cleaner.

Do not immerse the vacuum cleaner in water or any other liquid. Keep the HEPA filter clean after every removal of the dust container.

Instructions for use

Before first use

Before using the vacuum cleaner for the first time, clean it with a soft, damp cloth and dry thoroughly.

Charging the vacuum cleaner

Before first use, the vacuum cleaner must be charged for approx. 4–5 hours. Subsequent charging times will vary dependent on use. If the vacuum cleaner battery becomes drained completely during use, it may take up to 4–5 hours to fully recharge.

STEP 1: Check that the vacuum cleaner is switched off.

STEP 2: Secure the vacuum cleaner into position in the charging base and connect the mains power adaptor to the charging port.

STEP 3: Plug the mains power adaptor into the mains power supply; the indicator light will flash red during charging. Once the battery is fully charged, the indicator light will stop flashing and turn blue.



NOTE: Whilst charging, the vacuum cleaner main unit may become warm. Always make sure that the mains power adaptor is unplugged from the mains power supply once the battery is fully charged.

Using the vacuum cleaner

The crevice tool is ideal for cleaning radiators, corners, recesses and other hard-to-reach areas. The upholstery and brush tools are useful for removing dust and dirt from folds in fabrics, curtains and upholstery, as well as from shelves, cupboards and windowsills.

STEP 1: Check that the vacuum cleaner is switched off and remove it from the charging base.

STEP 2: If required, fit the selected attachment by firmly inserting it into the air inlet. The brush tool does not insert into the air inlet directly; it must first be attached to the crevice tool.

STEP 3: Turn on the vacuum cleaner by pressing the power button; the indicator light will illuminate red. To use the maximum power setting, press the speed control button again; the indicator will illuminate blue.



NOTE: The indicator light will flash when the battery is running low and needs to be charged.



WARNING: Clean the HEPA filter regularly to preserve suction.

Emptying the dust container

To maintain optimum performance, the dust container must be emptied regularly. If there is a reduction in suction power, empty the dust container.

STEP 1: Hold the vacuum cleaner with the dust container facing upwards. Press the dust container front release button and carefully remove the dust container cover from the dust container.

STEP 2: Empty the dust container slowly and carefully to reduce the amount of dust released back into the atmosphere. If necessary, clean the individual parts with a soft, damp cloth and dry thoroughly.

STEP 3: Refit the dust container cover by aligning it with the vacuum cleaner main unit and pushing into place until it clicks.



NOTE: It is recommended that the dust container is emptied outdoors.

Cleaning the HEPA filter and filter cone

The HEPA filter can only be accessed when the dust container is removed.

STEP 1: After emptying the dust container following the instructions in the section entitled 'Emptying the dust container', remove the dust container by pressing both of the dust container rear release buttons at the same time and sliding the dust container away from the main unit.

STEP 2: Remove the HEPA filter and filter cone by pulling them away from the dust container. Rotate the HEPA filter in an

anticlockwise direction to the unlocked position and then lift away from the filter cone.

STEP 3: Shake the HEPA filter until the majority of the dust has been removed, then rinse the filter and filter cone under clean, warm water and allow to dry naturally.

STEP 4: Once both are fully dry, place the HEPA filter back into the filter cone and rotate it in a clockwise direction to lock it in place.

STEP 5: Refit the filter cone into the dust container. Replace the dust container by pushing it into the main unit, aligning the latch with the indent.



NOTE: The HEPA filter and filter cone should be thoroughly cleaned at least once every three weeks. Always clean the HEPA filter and filter cone with the brush provided and only when the dust container is empty.



WARNING: Do not reassemble or use the vacuum cleaner until the HEPA filter and filter cone have fully dried, as this could cause damage.

Storage

The vacuum cleaner must be cool, clean and dry before storing in a cool, dry place.

Store the mains power adaptor separately, checking that it is not bent at the connections, as this could cause damage to the wires.