

Emptying the water tank

STEP 1: Switch off and unplug the window vac from the mains power supply.

STEP 2: Detach the water tank plug from the front of the water tank and tilt it to drain away any excess water.

STEP 3: Fix the water tank plug back onto the water tank.



NOTE: The water tank must be emptied after each use.



WARNING: Do not overfill the 60 ml water tank.

Storage

Check that the window vac is cool, clean and dry and that the water tank is empty before storing in a cool, dry place.



NOTE: If the battery is exhausted, it is recommended to charge the window vac slightly before storage. This will help to prolong the life of the battery. The window vac may need to be recharged after storage, before the next use.

Troubleshooting

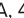
Symptom	Cause	Solution
The window vac will not turn on.	The window vac has run out of charge.	Charge the window vac following the instructions in the section entitled ' Charging the window vac '.
Water is leaking from the air vents.	The water has exceeded the 60 ml max. fill level.	Empty the water tank following the instructions in the section entitled ' Emptying the water tank '.
	Spirit or foam detergent has been used to clean the surface of the mirror or window.	Use conventional window cleaning concentrate as opposed to spirit or foam detergents.
	The window vac has been used horizontally.	The window vac must only be used in a vertical position during operation.
The window vac is leaving streaks on the surface.	The squeegee vacuum head is dirty.	Clean the squeegee vacuum head with a soft, damp cloth and leave to dry naturally.
	There is too much window cleaning concentrate on the surface of the mirror or window.	Adjust the dilution of the window cleaning concentrate.

Specifications

Product code: BEL0749

Battery: 3.7 V 2000 mAh Li-ion battery (included)

Adaptor input: 100–240 V AC 50/60 HzA 0.2 A Max.

Adaptor output: 5.0 V  0.8 AA, 4.0 W

Average active efficiency: 73.78%

Efficiency at low load (10%): 67.80%

No load power consumption: 0.06 W

IPX 4

**UK
CA
CE**

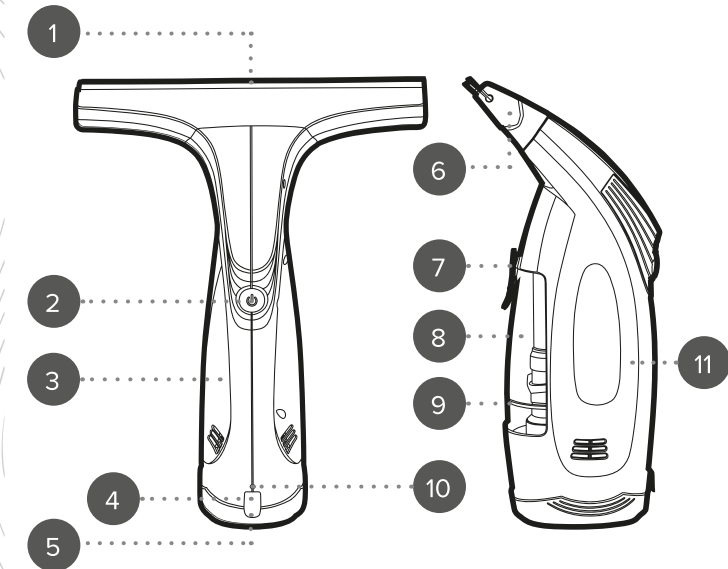
Disposal of Waste Batteries and Electrical and Electronic Equipment



This symbol on the product, its batteries or its packaging means that this product and any batteries it contains must not be disposed of with household waste. Instead, it is the user's responsibility to hand this over to an applicable collection point for the recycling of batteries and electrical and electronic equipment. This separate collection and recycling will help to conserve natural resources and prevent potential negative consequences for human health and the environment due to the possible presence of hazardous substances in batteries and electrical and electronic equipment, which could be caused by inappropriate disposal. Some retailers provide take-back services which allow the user to return exhausted equipment for appropriate disposal. **It is the user's responsibility to delete any data on electrical and electronic equipment prior to disposal.** For more information about where to drop batteries, electrical and electronic waste off, please contact the local city/municipality office, household waste disposal service, or the retailer.

User manual

Window vac



1. Squeegee vacuum head
2. On/Off button
3. Window vac main body
4. Charging port
5. Charging port cover
6. Squeegee vacuum head locking tab/release button

7. Water tank plug
8. Water tank
9. 60 ml max. fill level
10. Charging indicator light
11. Handle

Manufactured by:
Ultimate Products UK Ltd.,
Victoria Street, Manchester OL9 0DD. **UK.**
Ultimate Products Europe Ltd.,
19 Baggot Street Lower, Dublin D02 X658. **ROI.**

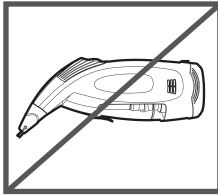
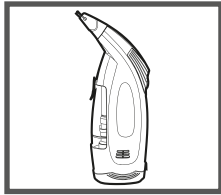
MADE IN CHINA.

CD131117/MD120324/V8





This appliance is not designed to pick up spills. Only use this appliance in a vertical position; do not use it in a horizontal position. If the appliance is used in a horizontal position, water may leak out of the vents. This could cause injury to the user or damage to the appliance. Using the appliance in a horizontal position will void the warranty.



SAFETY INSTRUCTIONS

- When using electrical appliances, basic safety precautions should always be followed.
- Check that the voltage indicated on the rating plate corresponds with that of the local network before connecting the appliance to the mains power supply.
- Children aged from 8 years and people with reduced physical, sensory or mental capabilities or lack of experience and knowledge can use this appliance, only if they have been given supervision or instruction concerning use of the appliance in a safe way and understand the hazards involved.
- Children should be supervised to ensure that they do not play with the appliance.
- Unless they are older than 8 and supervised, children should not perform cleaning or user maintenance.
- If the power supply cord, plug or any part of the appliance is malfunctioning or if it has been dropped or damaged, cease using the product immediately to avoid potential injury.
- This appliance contains no user serviceable parts, only a qualified electrician should carry out repairs. Improper repairs may place the user at risk of harm.
- Do not remove the adaptor from the mains power supply by pulling the cord; switch off and remove the plug by hand.
- Do not use the adaptor to recharge non-rechargeable batteries.
- Do not use the appliance for anything other than its intended use.
- Take care when equipping accessories with rotating parts as this could cause entrapment.
- Switch off the appliance, disconnect it from the mains power supply and allow to cool fully before changing or fitting accessories and before cleaning or user maintenance.

- Use of an extension cord with the appliance is not recommended.
- This appliance should not be operated by means of an external timer or separate remote control system.
- This appliance is intended for domestic use only. It should not be used for commercial purposes.

BATTERY SAFETY

The supply terminals are not to be short-circuited. In the event of a battery and cell leaking, do not allow the liquid to come in contact with the skin or eyes. If contact has been made, wash the affected area with copious amounts of water and seek medical advice.

Do not use any cell or battery which is not designed for use with the product.

Secondary cells and batteries need to be charged before use. After extended periods of storage, it may be necessary to charge and discharge the cells or batteries several times to obtain maximum performance.

Keep batteries out of the reach of children.

Do not crush, puncture, dismantle or otherwise damage batteries. Do not store above 60 °C.

Avoid storage in direct sunlight.

Do not expose the batteries to heat or fire as they may explode. Do not subject batteries to mechanical shock.

Once the batteries have been exhausted, dispose of the product at a local recycling station. Contact the local government offices for further details.

This appliance is fitted with a 3.7 V 2000 mAh Li-ion secondary (rechargeable) battery.

Care and maintenance

Always switch off and unplug the window vac from the mains power supply before attempting any cleaning or maintenance.

STEP 1: Release the squeegee vacuum head by pressing the squeegee vacuum head locking tab/release button and pulling upwards.

STEP 2: Wipe the window vac main body, squeegee vacuum head and exterior of the water tank with a soft, damp cloth and allow to dry thoroughly.



NOTE: The window vac should be cleaned after each use. Do not use harsh or abrasive cleaners or detergents. Never immerse the window vac main body in water or any other liquid.

Instructions for use

Before first use

Before using the window vac for the first time, wipe it with a soft, damp cloth and dry thoroughly.

Do not immerse the window vac in water or any other liquid.

Check that the squeegee vacuum head is free from any debris (e.g. hair), as this could ruin the streak-free finish or damage the surface of the glass.

Assembling the window vac

STEP 1: Attach the squeegee vacuum head by pushing the squeegee vacuum

head locking tab/release button and inserting it onto the top of the window vac main body, until it locks into position. The screws on the underside of the squeegee vacuum head should be facing downwards.

STEP 2: Make sure that the water tank plug is firmly in place; failure to do so may result in a water leak that may damage the window vac.



NOTE: The squeegee vacuum head will only clip onto the window vac main body one way.

Charging the window vac

Before first use, the window vac must be charged for approx. 3 hours. Subsequent charging times will take approx. 2–3 hours.

STEP 1: Connect the lead from the mains power adaptor to the charging port on the window vac.

STEP 2: Plug the mains power adaptor into the mains power supply; the charging indicator light will flash blue to signal that the battery is charging. Once the battery is fully charged, the charging indicator light will stop flashing and remain constantly lit.



NOTE: Whilst charging, the window vac may become warm.



CAUTION: Exercise caution when charging the window vac; it must be stood upright on a dry, stable surface, away from other appliances.



WARNING: Do not leave the window vac unattended whilst it is charging. In the case of abnormal operation (e.g. it begins to emit smoke), switch off and unplug the window vac from the mains power supply immediately. Do not use any mains power adaptor other than that supplied, as this could cause a hazard.

Using the window vac

STEP 1: Apply dilute window cleaning solution to window following the manufacturer's instructions.

STEP 2: Turn on the window vacuum by pressing the 'On/Off' button.

STEP 3: Place the squeegee vacuum head against the window surface in a vertical position.

STEP 4: Clean the window from top to bottom using long, straight, downward movements. This will avoid leaving drip marks or smears and leave the window with a streak-free finish.

STEP 5: The window vac can be used to remove any excess water that remains on the window surface. Whilst switched on, hold the window vac vertically where the excess water has collected and allow it to suck up the liquid.

STEP 6: Turn off the window vac by pressing the 'On/Off' button.



NOTE: Check that the water tank plug is firmly in position to avoid leakage of water from the tank.



WARNING: Do not use the window vac to pick up anything other than water or diluted window cleaning concentrate.