



NOTE: The water will run over the removeable honeycomb filter before draining into the water tank. Take care to ensure the max. fill is not exceeded. The two ice packs can be used to achieve quicker, additional cooling; they should be 2/3 full of water and left to freeze for approx. 8 hours before use. Place them into the water tank before it has been filled with water.



CAUTION: Do not fill the air cooler with any liquid other than cold, clean water. Do not use any additives in the water. Do not use the cold function if the water in the water tank is below the min. fill line on the water level window.

Using the air cooler

STEP 1: Plug in and switch on the air cooler at the mains power supply after placing it on a stable flat surface.

STEP 2: To turn on the air cooler, press either '**LOW**', '**MED**' or '**HIGH**'.

STEP 3: Adjust the horizontal grills of the air cooler using the small tab attached to the middle grill.

STEP 4: Activate the swing function by pushing '**SWING**'; the vertical grills of the air cooler will begin to turn left and right. To stop the vertical grills from turning, press '**SWING**' once more.

STEP 5: Activate the cooling function by pushing '**COLD**'. The pumps will switch on and water will begin pumping through the air cooler. To stop the cooling function, press '**COLD**' once more.



NOTE: When positioning the air cooler, do not lift it by the front panel; move it using the handles and the 360° castor wheels.

Storage

Drain the water tank and allow the air cooler to cool before storing in a cool, dry place.

Loosely wrap the cord around the air cooler; do not wrap it tightly as this could cause damage.

Problem	Possible cause	Solution
The air cooler will not power on.	The air cooler is not connected to the mains power supply.	Plug in and switch on the air cooler at the mains power supply.
	The fuse has blown.	Replace the fuse with one of the same rating.
	The off button is pressed.	Press either ' LOW ', ' MED ' or ' HIGH '.

Specifications

Product code: EH3674

Input: 220–240 V ~ 50/60 Hz

Output: 65 W

Water tank capacity: 6 L



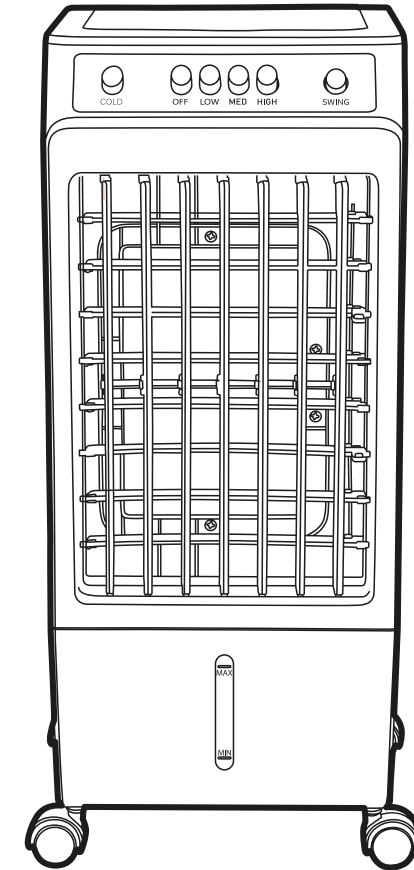
Disposal of Waste Batteries and Electrical and Electronic Equipment



This symbol on the product, its batteries or its packaging means that this product and any batteries it contains must not be disposed of with household waste. Instead, it is the user's responsibility to hand this over to an applicable collection point for the recycling of batteries and electrical and electronic equipment. This separate collection and recycling will help to conserve natural resources and prevent potential negative consequences for human health and the environment due to the possible presence of hazardous substances in batteries and electrical and electronic equipment, which could be caused by inappropriate disposal. Some retailers provide take-back services which allow the user to return exhausted equipment for appropriate disposal. **It is the user's responsibility to delete any data on electrical and electronic equipment prior to disposal.** For more information about where to drop batteries, electrical and electronic waste off, please contact the local city/municipality office, household waste disposal service, or the retailer.

User manual

Air cooler

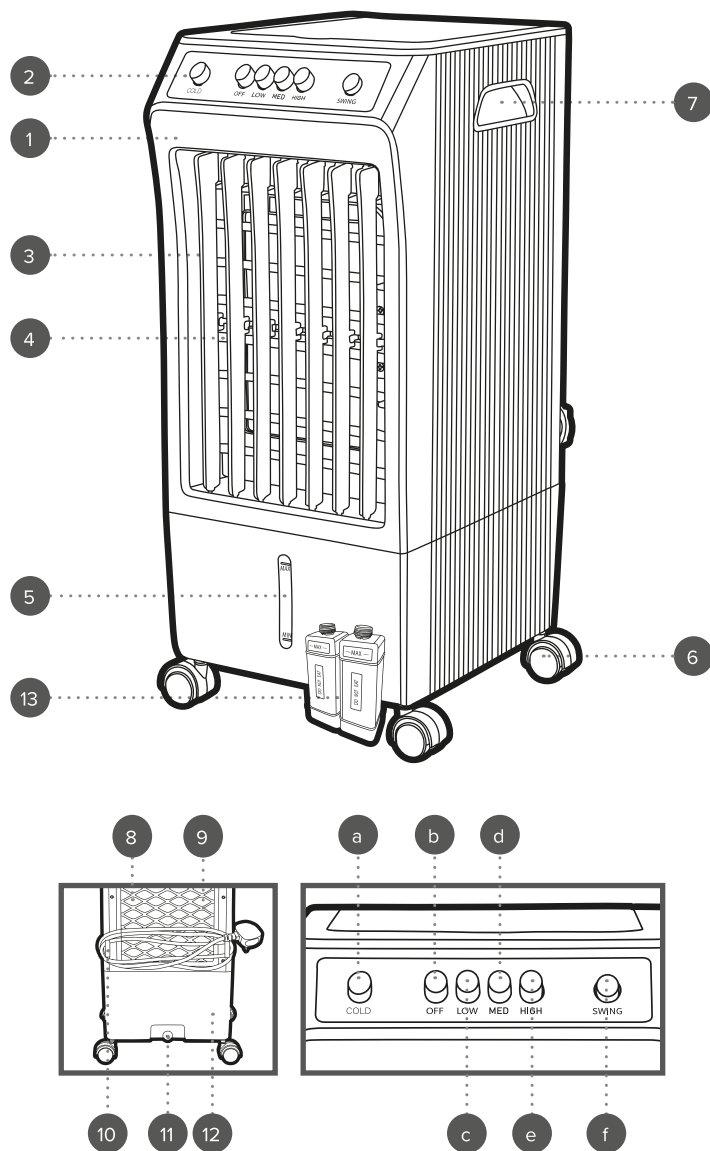


Manufactured by:
Ultimate Products UK Ltd.,
Victoria Street, Manchester OL9 0DD. **UK.**
Ultimate Products Europe Ltd.,
19 Baggot Street Lower, Dublin D02 X658. **ROI.**

MADE IN CHINA.

CD121018/MD111124/V3

Description of parts



1. Air cooler main unit
2. Control panel
 - a. Cold function button (COLD)
 - b. Off button (OFF)
 - c. Low speed button (LOW)
 - d. Medium speed button (MED)
 - e. High speed button (HIGH)
 - f. Swing function button (SWING)
3. Vertical grills
4. Horizontal grills

5. Water level window
6. 360° castor wheels (qty. 4)
7. Carry handles
8. Honeycomb filter
9. Mesh panel
10. Cable holders
11. Water tank plug
12. Water tank
13. Ice packs (qty. 2)

Please retain instructions for future reference.

SAFETY INSTRUCTIONS

- When using electrical products, basic safety precautions should always be followed.
- Check that the voltage indicated on the rating plate corresponds with that of the local network before connecting the product to the mains power supply.
- This product can be used by children aged from 8 years and above and persons with reduced physical, sensory or mental capabilities and knowledge, if they have been supervised/instructed and understand the hazards involved.
- Children shall not play with the product.
- Children should not perform cleaning or user maintenance, unless they are older than 8 and supervised.
- This product is not a toy.
- If the power supply cord, plug or any part of the product is malfunctioning or if it has been dropped or damaged, cease using the product immediately to avoid potential injury.
- This appliance contains no user serviceable parts, only a qualified electrician should carry out repairs. Improper repairs may place the user at risk of harm.
- Keep the product and its power supply cord out of the reach of children.
- Keep the product and its power supply cord away from heat or sharp edges that could cause damage.
- Keep the power supply cord away from any parts of the product that may become hot during use.
- Keep hands, fingers, hair and any loose clothing away from the rotating parts of the product.
- Do not insert or allow fingers or any other objects into grill to avoid a mechanical danger when in use.
- Do not block air intakes or exhaust openings in any manner.
- Do not immerse the product in water or any other liquid.
- Do not operate the product with wet hands.
- Do not leave the product unattended whilst connected to the mains power supply or when in use.
- Adequate clean water should be put into the tank within the water level limits as shown by the water level indicator.
- Do not add water whilst the power is on.
- Do not remove the product from the mains power supply by pulling the cord; switch it off and remove the plug by hand.
- Do not use the product for anything other than its intended use.
- Do not cover the product.
- Do not use the product outdoors.
- Do not move the product whilst it is in use.
- Do not shake the product.
- Do not spray insecticide or chemical solvents on the product.
- Always use the product on a flat, stable surface.
- Use of an extension cord with the product is not recommended.
- Do not run the power supply cord under carpeting or cover it with throw rugs, runners or the like.

- Arrange the power supply cord away from high traffic areas and where it will not be tripped over.
- This product should not be operated by means of an external timer or separate remote control system, other than that supplied with this product.
- This product is intended for domestic use only. It should not be used for commercial purposes.



WARNING: If a strong odour is emitted from the product, turn the product off and unplug it from the mains power supply.

Care and maintenance

STEP 1: Unplug the air cooler from the mains power supply before attempting any cleaning or user maintenance.

STEP 2: The water tank must be drained of any water after each use. To do so, remove the plug from the bottom rear of the air cooler. Once the water tank has been drained, wipe away any excess water with a soft cloth.

STEP 3: The removeable honeycomb filter should only be rinsed in clean water.

STEP 4: Wipe the air cooler main unit with a soft, damp cloth and allow to dry thoroughly.

Do not use flammable liquid, abrasive cleaning solvents, polishes or scouring pads to clean the air cooler, as this may cause damage.



NOTE: Clean the air cooler and all of its parts regularly to reduce the risk of limescale and bacteria forming.



WARNING: Should the product fall or be pushed over while there is water in the reservoir, it must be unplugged from the mains power supply immediately. The air cooler main unit should be righted promptly and dried thoroughly before it is used again.

Instructions for use

Assembling the 360° castor wheels

To secure the 360° castor wheels, push them into the slots provided at the base of the air cooler main unit until they click securely into place.

Filling the air cooler

STEP 1: Switch off and unplug the air cooler from the mains power supply.

STEP 2: Ensuring the water tank plug is firmly in place, carefully unscrew and remove the mesh panel by pressing the tabs and pulling away.

STEP 3: Remove the honeycomb filter and fill the water tank with cold, clean water. The water level should be no lower than the min. fill line and no higher than the max. fill line on the water level window.