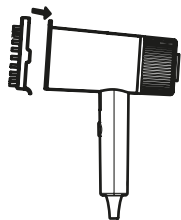


## Using the brush attachment

The fabric brush opens the weave of the fabric for deeper steam diffusion. It is ideal for steaming heavier and bulkier items such as car upholstery, curtains, bedding and sofas.



## Storage

This garment steamer folds away for convenient storage. Before storing in a cool, dry place, check that the garment steamer and any accessories are cool, clean and dry. Make sure that the water tank is empty before storing away. Never wrap the cord tightly around the garment steamer; wrap it loosely to avoid causing damage. Ensure the fabric brush is detached from the garment steamer main unit when using the travel bag.

## Troubleshooting

| Problem   | Possible cause  | Solution   |
|---|---|--|
| The garment steamer is not heating up. The power indicator light is not illuminating. | The garment steamer is not plugged into the mains power supply. | Plug in and switch on the garment steamer at the mains power supply.   |
| No steam is being emitted from the garment steamer.                                   | There is insufficient water remaining in the water tank.        | Fill the water tank with water.  |
|   | The water has not reached the required temperature.             | Plug in the garment steamer at the mains power supply and allow it to preheat sufficiently. This should take approx. 20 seconds. |
|   | The steam on/off button has not been pressed.                   | Press the steam on/off button to activate steam.   |
| The garment steamer is making an abnormal sound.                                      | The water tank is empty.  | Refill the water tank.   |

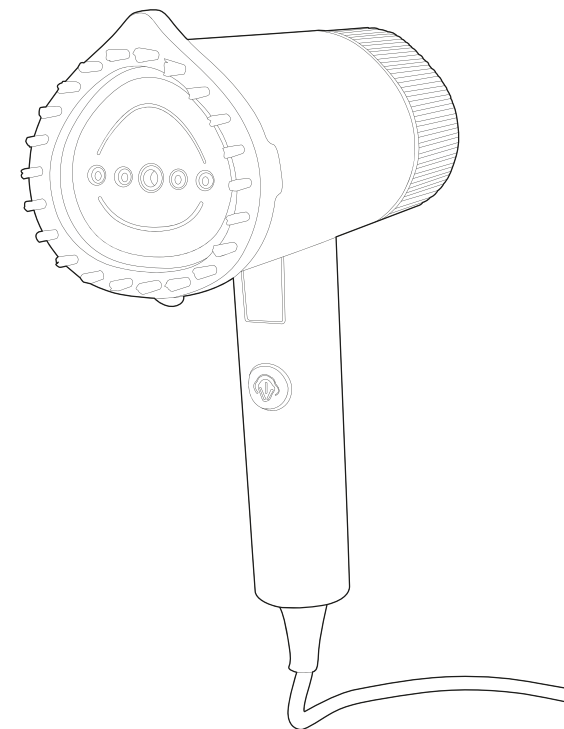
## Specifications

Product code: BEL02096  
Input: 220–240 V ~ 50/60 Hz

Output: 1200 W  
Water tank capacity: 100 ml

# User manual

Garment steamer

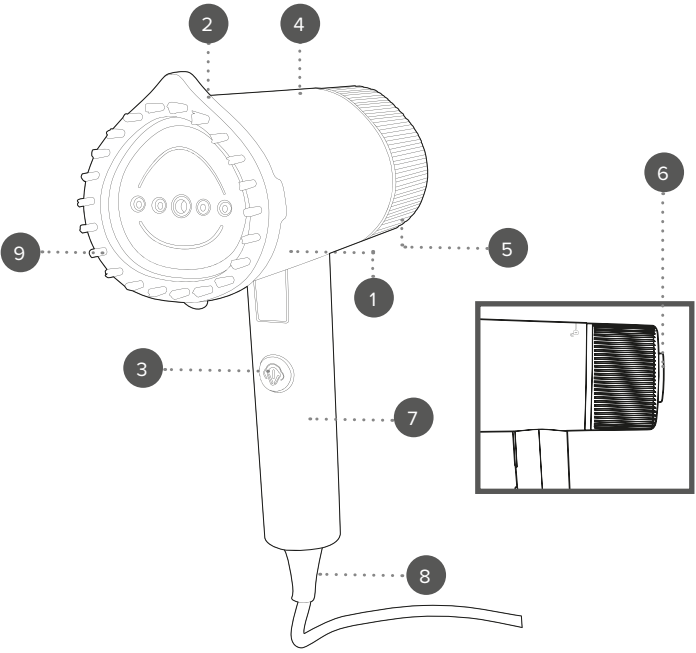


Manufactured by:  
Ultimate Products UK Ltd.,  
Victoria Street, Manchester OL9 0DD. **UK.**  
Ultimate Products Europe Ltd.,  
19 Baggot Street Lower, Dublin D02 X658. **ROI.**

**MADE IN CHINA.**

CD191124/MD000000/V1

**Description of parts**



- 1. Garment steamer main unit
- 2. Steam head
- 3. Steam on/off button
- 4. Heating indicator light
- 5. Water tank
- 6. Water tank cap
- 7. Handle
- 8. Cord guard
- 9. Fabric brush

Please retain instructions for future reference.

**Dos and don'ts**

- DO:**
- Switch off the garment steamer and disconnect it from the mains power supply before changing or fitting accessories.
  - Always hold the garment steamer by the handle.
  - Allow the garment steamer to cool before fitting or removing any attachments.
- DON'T:**
- Hold on to parts of the garment steamer that get hot during use.
  - Overfill the water tank.
  - Position the garment steamer too closely to the surface of the fabric or apply too much pressure, as this could cause damage.

**Care and maintenance**

Before attempting any cleaning or maintenance, always unplug the garment steamer from the mains power supply and allow it to cool sufficiently (for approx. 30 minutes). Drain any remaining water from the water tank once the garment steamer main body has cooled. Wipe the garment steamer with a soft, damp cloth and allow to dry thoroughly. Clean the accessories in warm, soapy water; rinse and dry thoroughly. The garment steamer and its accessories are not suitable for dishwasher use. Do not use harsh or abrasive cleaners or detergents.

**NOTE:** There is no cause for concern if condensation or water droplets are present inside the water tank before use. This is a result of quality testing completed on the production line and is a normal manufacturing and quality control process.

**Descaling the water tank and removing limescale**

If living in a hard water area, calcium deposits may begin to build up inside the water tank or accessories. If this occurs, it is recommended to use demineralised water with the garment steamer. Limescale can develop over time and can affect the performance of the garment steamer. It is recommended to remove limescale at least once a month. Use a limescale removing solution that is suitable for use with a garment steamer. Always follow the manufacturer's instructions.

**Instructions for use**

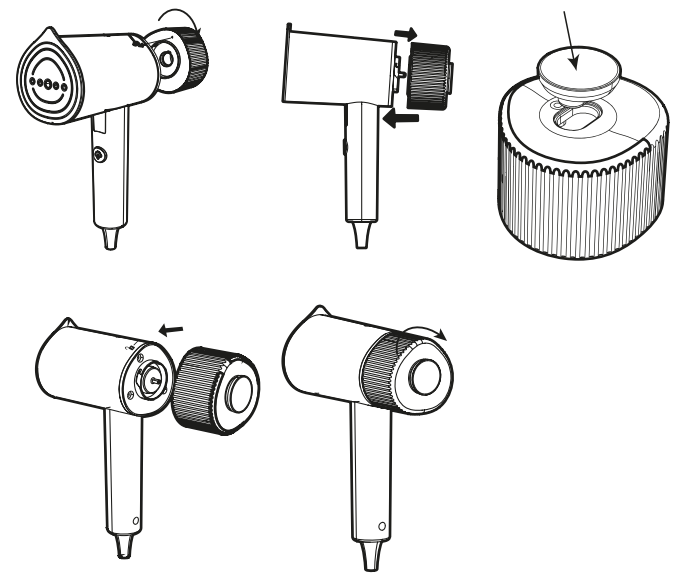
**Before first use**

Allow the garment steamer to steam for approx. 3–4 minutes to remove any impurities that may have been left behind during production. It is recommended to steam an old piece of cotton prior to steaming the preferred garment, to check that any impurities have been removed.

**NOTE:** When using the garment steamer for the first time, a slight odour may be emitted. This is normal and will soon subside. Allow for sufficient ventilation around the garment steamer when it is in use.

**Filling the water tank**

- STEP 1:** Check that the garment steamer is switched off and unplugged from the mains power supply.
- STEP 2:** To remove the water tank, twist it in an anticlockwise direction and pull it firmly away from the garment steamer main body.
- STEP 3:** Remove the water tank cap. Use a measuring cup or jug to fill the tank with water. Once full, close the water tank cap.
- STEP 4:** Refit the water tank by aligning the tabs on the water tank with the garment steamer main unit and twist it in a clockwise direction ensuring it is perfectly aligned.



**Using the garment steamer**

- STEP 1:** Check that the garment steamer is switched off and unplugged from the mains power supply. If required, attach the fabric brush to the steam head and click it into place.
- STEP 2:** Lift the water tank cap. Use a measuring jug and fill the water tank with a max. of 100 ml water. Once full, close the water tank cap.
- STEP 3:** Place the garment steamer onto a flat, stable surface, then plug in and switch on at the mains power supply. The garment steamer will start to heat up once it is plugged in; the power indicator light will illuminate to signal that the garment steamer is preheating.
- STEP 4:** Whilst the garment steamer is preheating, hang the garment to be steamed.
- STEP 5:** After approx. 20 seconds of preheating, the indicator light will switch off, to signal that the garment steamer has reached the required temperature.
- STEP 6:** Press the steam on/off button to begin steaming. Press the steam head (with the attachment securely in place, if required) gently against the fabric. Carefully steam the garment using long, straight, downwards movements to remove any wrinkles or creases.
- STEP 8:** Once the garment has been steamed, turn off the garment steamer by pressing the steam on/off button. Switch off and unplug the garment steamer from the mains power supply.
- STEP 9:** To fold away the garment steamer handle, hold the main unit body and gently push the handle towards the main unit until they touch. Only do this once the unit has fully cooled down.

**NOTE:** Refill the water tank as and when required; one max. fill offers approx. 8–10 minutes of continuous use. During use, the heating indicator light will cycle on and off to indicate the garment steamer is maintaining the temperature.



ULTIMATE PRODUCTS  
HOME OF BRANDS

Manchester  
OL9 0DD  
United Kingdom  
www.upplc.com

Artworker: Aminah Janjua  
Date: 19/11/2024  
Project Name: EES244660 ULT BEL02096  
Type of Artwork: Quick Guide  
Size: A4 Leaflet  
Software Used: Indesign CC  
Typefaces: Proxima Nova

- Cyan
- Magenta
- Yellow
- Black
- PMS
- PMS
- PMS
- PMS

Artwork Version 1

Artwork Scale 1:1

©2024 Ultimate Products UK Ltd. All designs, images and artwork are the copyright of Ultimate Products UK Ltd. No copying, alterations or amendments to the artwork, design can be undertaken without prior written permission of Ultimate Products UK Ltd. Any costs incurred as a result of unauthorised amendments will be recovered from the supplier responsible.

DO NOT PRINT THIS PAGE  
ARTWORK REFERENCE ONLY