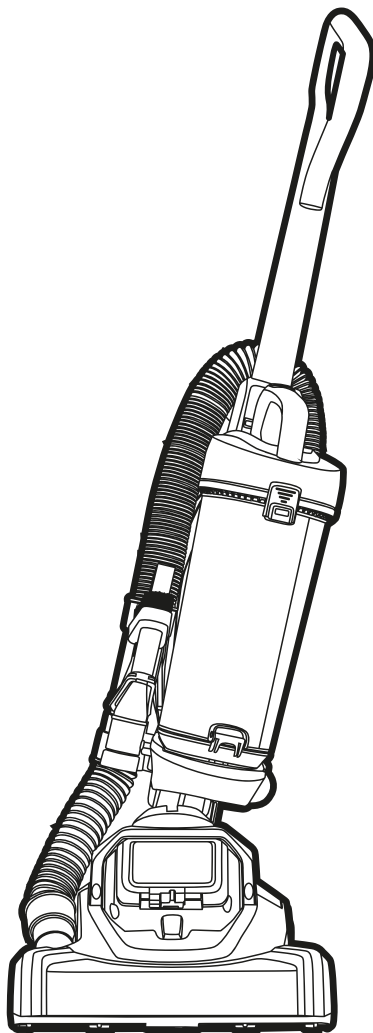
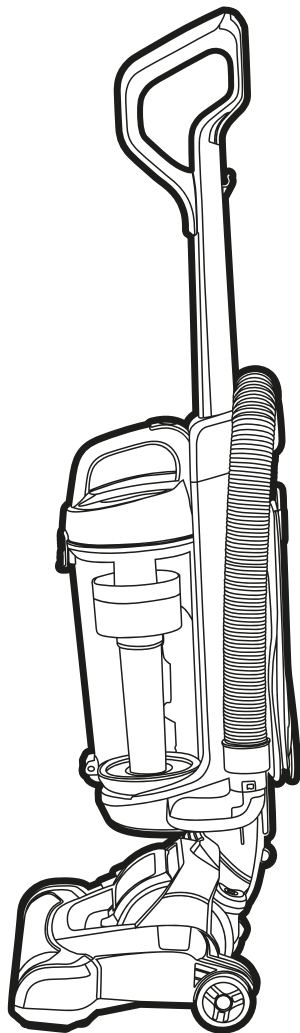
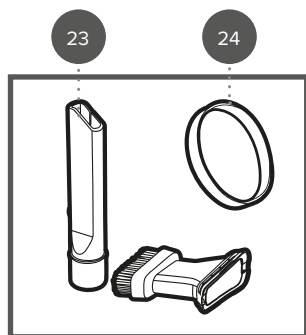
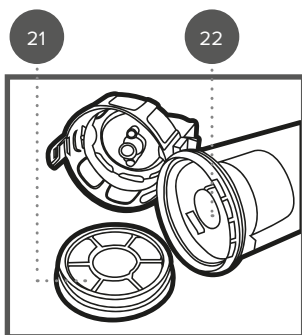
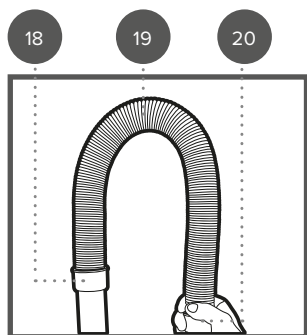
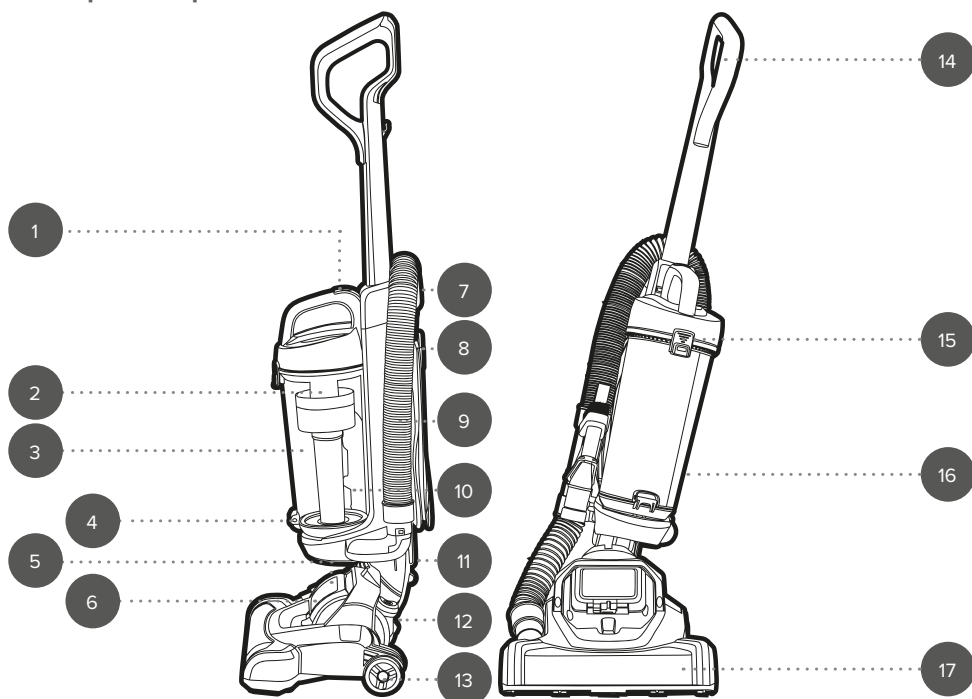


User manual

Turbo swivel



Description of parts



1. Dust container release button
2. Cyclonic cone
3. Dust container
4. Dust container base
5. Exhaust filter
6. Exhaust filter housing
7. Flexible hose storage hook
8. Cord storage hook(s)
9. Turbo floor brush suction hose
10. Base release clip
11. Air inlet
12. Power button

13. Wheel(s)
14. Handle
15. Lid release clip
16. Vacuum cleaner main unit
17. Turbo floor brush
18. Flexible extension hose neck
19. Flexible extension hose
20. Flexible extension hose lock
21. Washable HEPA filter and sponge
22. Washable HEPA filter housing
23. 3 in 1 crevice tool
24. Additional drive belt

Important safety

Please read carefully

Please retain instructions for future reference.

SAFETY INSTRUCTIONS

- When using electrical appliances, basic safety precautions should always be followed.
- This appliance can be used by children aged from 8 years and above and persons with reduced physical, sensory or mental capabilities and knowledge, if they have been supervised/instructed and understand the hazards involved.
- Children shall not play with the appliance.
- Children should not perform cleaning or user maintenance, unless they are older than 8 and supervised.
- This appliance is not a toy.
- If the power supply cord, plug or any part of the appliance is malfunctioning or if it has been dropped or damaged, cease using the product immediately to avoid potential injury.
- This appliance contains no user serviceable parts, only a qualified electrician should carry out repairs. Improper repairs may place the user at risk of harm.
- Keep the appliance and its power supply cord out of the reach of children.
- Keep the appliance out of the reach of children when it is switched on or cooling down.
- Keep the appliance and its power supply cord away from heat or sharp edges that could cause damage.
- Keep the appliance away from other heat emitting appliances.
- Keep the appliance free from dust, lint, hair or anything that may reduce the airflow of the appliance.
- Do not immerse the electrical components of the appliance in water or any other liquid.
- Do not operate the appliance with wet hands or if any connections are wet.
- Do not expose the appliance to rain.
- Do not leave the appliance unattended whilst connected to the mains power supply.
- Do not remove from the mains power supply by pulling the cord; switch off and remove the plug by hand.
- Do not pull or carry the appliance by its power supply cord.
- Do not use the appliance if it has been dropped or if there are visible signs of damage.
- Do not use the appliance for anything other than its intended use.
- Do not use any parts/accessories other than the parts supplied with this appliance, as this may cause damage.
- Do not use this appliance outdoors.
- Do not store the appliance in direct sunlight or in high humidity conditions.
- Do not use this appliance if any of the openings are blocked.
- Do not use the appliance to pick up flammable liquid, matches, cigarette ends, hot ashes or any hot, burning or smoking objects.
- Do not use this appliance to pick up hard, sharp objects, such as glass or nails etc.
- Do not use the appliance to pick up water or any other liquid, as this poses risk of an electric shock.
- Take care when equipping accessories with rotating parts, as this could cause entrapment.
- Use of an extension cord with the appliance is not recommended.
- This appliance should not be operated by means of an external timer or separate remote control system.
- This appliance is intended for domestic use only. It should not be used for commercial purposes.

Please retain instructions for future reference.

Dos and don'ts

DO:

Exercise caution when using the vacuum on delicate carpets/rugs that may get caught in the brush bar, as this can cause damage to the vacuum and/or the floor surface.

Check that the voltage indicated on the rating plate corresponds with that of the local network before connecting the appliance to the mains power supply.

Switch off the vacuum cleaner before changing or fitting attachments.

DON'T:

Use attachments if they are loose, damaged or broken.

Immerse the extension tube in water.

Use the vacuum cleaner without the filter and filter cone in position.

Changing the drive belt

With prolonged use, the brush bar drive belt can be subjected to high amounts of strain and may sometimes break as a result. An additional drive belt has been included should this occur.

STEP 1: Switch off the vacuum cleaner and unplug it from the mains power supply.

STEP 2: Invert the vacuum cleaner and carefully place it on a steady, flat surface with the base of the floor brush facing upwards.

STEP 3: Using a crosshead screwdriver (not included), remove the 6 screws on the base of the turbo floor brush. To remove the 6th screw, lift up the black floor brush hinge.

STEP 4: Remove the base plate. A flat head screwdriver (not included) can be used to lever the catch located at the front and centre of the turbo floor brush.

STEP 5: Remove the brush bar and then remove the broken drive belt.

STEP 6: Place one end of the new drive belt around the motor spindle, and the other end around the groove in the brush bar.

STEP 7: Place the brush bar back into the brush bar housing, making sure that each end is fitted into the correct corresponding slot.

STEP 8: Manually rotate the brush bar to check that the drive belt is securely in position.

STEP 9: Reattach the base plate, making sure that all 6 screws are back in their original positions.



WARNING: Do not use the vacuum cleaner without the brush bar, drive belt or base plate in position, as this could cause damage to the vacuum cleaner or injury to the user.

Thermal cut-out device

If the dust container and filters are not regularly cleaned, the vacuum cleaner will overheat. This will cause the thermal cut-out device to activate due to restricted flow of air around the vacuum cleaner main unit. If the vacuum cleaner cuts out, press the power button to turn it off and unplug it from the mains power supply. Proceed to empty the dust container, clean all of the filters and allow the vacuum cleaner to cool for approx. 1 hour.

Care and maintenance

Wipe the external surface of the vacuum cleaner with a soft, damp cloth and allow to dry thoroughly. Do not use any harsh or abrasive detergents or cleaning agents to clean any part of the vacuum cleaner. Keep the washable HEPA filter clean and replace when it becomes worn.

Clean the filters after every removal of the dust container.

To clean the inside of the dust container it is possible to remove the cyclonic cone.

Instructions for use

Before first use

Before using the vacuum cleaner for the first time, follow the instructions in the section entitled 'Care and maintenance'.

Assembling the vacuum cleaner

STEP 1: Insert the handle into the vacuum cleaner main unit and secure into position using the screw provided. This will require a crosshead screwdriver (not included).

STEP 2: To fit the flexible extension hose, insert the flexible extension hose lock into the air inlet and twist it 90° in a clockwise direction, until it locks into position.



NOTE: Check that the flexible extension hose and turbo floor brush suction hose are both securely locked into position before using the vacuum cleaner. If they are not correctly attached, this will dramatically lower suction.

Using the vacuum cleaner

STEP 1: Plug in and switch on the vacuum cleaner at the mains power supply.

STEP 2: Turn on the vacuum cleaner by pressing the power button. To turn off, press the power button again.

STEP 3: Unplug the vacuum cleaner from the mains power supply and loosely wrap the power supply cord around the cord storage hooks on the back of the vacuum cleaner. Make sure that it is not wrapped too tightly at the point of connection and then secure with the cable tidy.



NOTE: When used on carpets the brush bar will emit a more prominent sound, this is normal and should be ignored.



WARNING: Do not use the vacuum cleaner without the washable HEPA filter or dust container in position.

Using the 3 in 1 crevice tool

STEP 1: Carefully pull out the flexible extension hose neck.

STEP 2: Select which attachment is to be used:

Crevice – Access the crevice attachment by pressing and holding the locking mechanism on the 3 in 1 crevice tool, then remove the brush/upholstery attachment. The crevice attachment is ideal for removing dust and dirt from folds in fabrics, radiators, corners, recesses and other hard-to-reach areas.

Brush – To access the brush attachment, check that the bristles are facing upwards and then slide it over the end of the crevice tool, until it clicks into position. The brush attachment is great for cleaning curtains, shelves, books and other delicate objects.

Upholstery – To access the upholstery attachment, check that the red upholstery fabric is facing upwards and then slide it over the end of the crevice tool, until it clicks into position. The upholstery attachment is perfect for refreshing sofas, curtains and car upholstery.

STEP 3: Push the 3 in 1 crevice tool onto the end of the flexible extension hose neck; the tool can now be used.

STEP 4: Turn on the vacuum cleaner by pressing the power button.



NOTE: When using the brush or upholstery attachment, it must be correctly aligned with the 3 in 1 crevice tool, so that the locking mechanisms are on the same side.

Emptying the dust container

Before emptying the dust container, the vacuum cleaner must be switched off and unplugged from the mains power supply. It is recommended to empty the dust container outdoors.

STEP 1: Remove the dust container by pressing the dust container release button and gently pulling it away from the vacuum cleaner main unit.

STEP 2: To empty the dust container, position it over a bin and then release the dust container base by unfastening the base release clip. Empty the dust container slowly and carefully to reduce the amount of dust released back into the atmosphere.

STEP 3: Shake the dust container gently to remove any remaining dust.

STEP 4: Close the dust container base by pushing it towards the dust container until it locks back into position.

STEP 5: Replace the dust container by aligning the bottom with the base of the vacuum cleaner main unit. Push the dust container towards the vacuum cleaner main unit until it locks back into position.

Cleaning the washable HEPA filter and sponge

It is important to keep the washable HEPA filter and sponge free from dust and dirt, to allow air to flow freely around the vacuum cleaner. This will help to preserve suction and prolong the life of the vacuum cleaner.

STEP 1: Remove the dust container by pressing the dust container release button and pulling it away from the vacuum cleaner main unit, following the instructions in the section entitled '**Emptying the dust container**'.

STEP 2: Open the lid using the lid release clip.

STEP 3: Lift the washable HEPA filter housing out of the top of the cyclonic cone and then take the sponge out of the washable HEPA filter housing.

STEP 4: Shake off the washable HEPA filter and sponge until the majority of the dust has been removed. Rinse them under clean, warm water and allow to dry thoroughly for approx. 24 hours.

STEP 5: Once the washable HEPA filter and sponge are fully dry, slot the sponge back into the washable HEPA filter and refit the washable HEPA filter housing into the top of the cyclonic cone.

STEP 6: Close the lid by pushing it in towards the dust container, until it locks into position.

STEP 7: Replace the dust container by aligning the bottom with the base of the vacuum cleaner main unit. Push the dust container in towards the vacuum cleaner main unit, until it locks back into position.



NOTE: If the washable HEPA filter and sponge are not cleaned regularly, the thermal cut-out device will activate. For further details, see the section entitled '**Thermal cut-out device**'.



WARNING: Do not clean the washable HEPA filter and sponge using detergent. Always allow the washable HEPA filter and sponge to air dry. Never use external heat sources, such as a radiator to dry them. Do not wring or twist the sponge as this will cause damage. Do not reassemble or use the vacuum cleaner until the washable HEPA filter is fully dry, as this could cause damage.

Cleaning the cyclonic cone

It is important to keep the cyclonic cone free from dust, dirt and blockages, to allow air to flow freely around the vacuum cleaner. This will help to preserve suction and prolong the life of the vacuum cleaner. The cyclonic cone can only be accessed when the dust container has been detached.

STEP 1: Remove the dust container by pressing the dust container release button and lifting it away from the vacuum cleaner main unit.

STEP 2: Open the lid using the lid release clip.

STEP 3: Lift the washable HEPA filter housing out of the top of the cyclonic cone and put it to one side.

STEP 4: Pull the cyclonic cone out of the dust container.

STEP 5: Turn the upper section of the cyclonic cone in an anticlockwise direction and pull it away from the lower section.

STEP 6: Shake off the upper and lower sections of the cyclonic cone until the majority of the dust has been removed. Rinse them under clean, warm water and allow to dry thoroughly for approx. 24 hours.

STEP 7: Once both sections of the cyclonic cone are fully dry, align them and then turn the upper section in a clockwise direction, until it locks into position.

STEP 8: Place the cyclonic cone into the dust container.

STEP 9: Slot the washable HEPA filter housing back into the top of the cyclonic cone.

STEP 10: Close the lid by pushing it in towards the dust container, until it locks into position.

STEP 11: Replace the dust container by aligning the bottom with the base of the vacuum cleaner main unit. Push the dust container in towards the vacuum cleaner main unit, until it locks back into position.



WARNING: Do not reassemble or use the vacuum cleaner until the cyclonic cone is fully dry, as this could cause damage.

Cleaning the exhaust filter

It is important to keep the exhaust filter and sponge free from dust and dirt, to allow air to flow freely around the vacuum cleaner. The washable HEPA filter, exhaust filter and sponges should be cleaned after every removal of the dust container. This will help to preserve suction and prolong the life of the vacuum cleaner.

STEP 1: To remove the exhaust filter for cleaning, slide the clip on the bottom of the exhaust filter housing to the left and lift the cover away. For further cleaning instructions, please see our online instruction manual at www.beldray.com.

STEP 2: Remove the exhaust filter and sponge from the exhaust filter housing.

STEP 3: Shake off the exhaust filter and sponge until the majority of the dust has been removed.

STEP 4: Rinse the exhaust filter housing and sponge under clean, warm water and allow to dry thoroughly for approx. 24 hours.

STEP 5: Once the exhaust filter and sponge are fully dry, slot them back into the exhaust filter housing and replace the exhaust filter housing cover.

STEP 6: Secure the exhaust filter housing cover into position by sliding the clip on top of the exhaust filter housing to the right.



WARNING: Do not clean the exhaust filter and sponge using detergent. Never use external heat sources, such as a radiator to dry the exhaust filter or sponge. Do not wring or twist the sponge as this will cause damage. Do not reassemble or use the vacuum cleaner until the exhaust filter and sponge are fully dry, as this could cause damage.

Troubleshooting

Problem	Possible cause	Solution
The suction is poor.	The flexible extension hose or turbo floor brush suction hose are blocked.	Disconnect the attachments and remove the blockage.
	The dust container is almost full.	Empty the dust container following the instructions in the section entitled ' Emptying the dust container '.
	The washable HEPA filter and sponge are blocked.	Clean the washable HEPA filter and sponge following the instructions in the section entitled ' Cleaning the washable HEPA filter and sponge '.
	The cyclonic cone is blocked.	Clean the cyclonic cone following the instructions in the section entitled ' Cleaning the cyclonic cone '.
The vacuum cleaner has cut-out or stopped working.	The thermal cut-out device has activated due to restricted air flow.	Unplug the vacuum cleaner from the mains power supply. Empty the dust container and clean the cyclonic cone, washable HEPA filter, exhaust filter and sponges. Allow the vacuum cleaner to cool for 1 hour.

Specifications

Product code: BEL0648

Rated voltage: 220–240 V ~ 50–60 Hz

Rated wattage: 400 W



Manufactured by:
Ultimate Products UK Ltd.,
Victoria Street, Manchester OL9 0DD. **UK.**
Ultimate Products Europe Ltd.,
19 Baggot Street Lower, Dublin D02 X658. **ROI.**
MADE IN CHINA.

CD171116/MD240125/V6