

STEP 3: Once the garments are dry, switch off the clothes airer by pressing the on/off switch to the off position, the light on the switch will turn off.

STEP 4: Remove the garments with care, as the clothes airer rails may still be hot.



NOTE: For a faster drying time, spin the garments in a washing machine prior to hanging.



WARNING: Do not load the clothes airer beyond 15 kg.

Storage

The clothes airer can be stored in tall, narrow places by simply folding the wings and moving the inner and outer sliding clips to one side; the clothes airer should fold flat.

Specifications

Product code: EH1156

Input: 220–240 V ~ 50–60 Hz

Output: 230 W



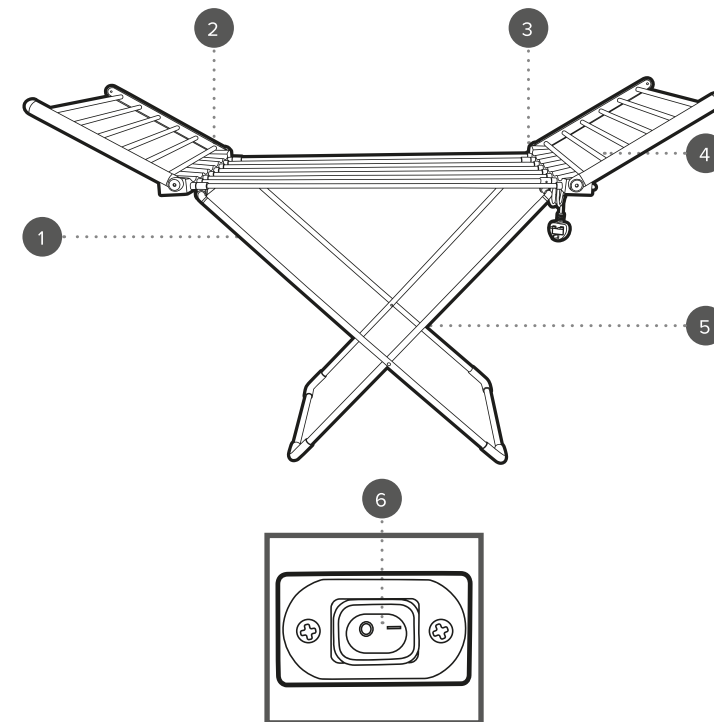
Disposal of Waste Batteries and Electrical and Electronic Equipment



This symbol on the product, its batteries or its packaging means that this product and any batteries it contains must not be disposed of with household waste. Instead, it is the user's responsibility to hand this over to an applicable collection point for the recycling of batteries and electrical and electronic equipment. This separate collection and recycling will help to conserve natural resources and prevent potential negative consequences for human health and the environment due to the possible presence of hazardous substances in batteries and electrical and electronic equipment, which could be caused by inappropriate disposal. Some retailers provide take-back services which allow the user to return exhausted equipment for appropriate disposal. **It is the user's responsibility to delete any data on electrical and electronic equipment prior to disposal.** For more information about where to drop batteries, electrical and electronic waste off, please contact the local city/municipality office, household waste disposal service, or the retailer.

User manual

Electric clothes airer



1. Clothes airer main unit

2. Inner sliding clips

3. Outer sliding clips

4. Foldable wings

5. Foldable stand

6. On/off switch



Manufactured by:
Ultimate Products UK Ltd.,
Victoria Street, Manchester OL9 0DD. **UK.**
Ultimate Products Europe Ltd.,
19 Baggot Street Lower, Dublin D02 X658. **ROI.**

MADE IN CHINA.

CD250714/MD100424/V5

Please retains instructions for future reference.

SAFETY INSTRUCTIONS

- When using electrical products, basic safety precautions should always be followed.
- Check that the voltage indicated on the rating plate corresponds with that of the local network before connecting the product to the mains power supply.
- Children younger than 3 years old should be kept away from the product unless continuously supervised.
- Children aged from 3 years and less than 8 years should not plug in, regulate or clean the product or perform user maintenance.
- Children aged from 8 years and people with reduced physical, sensory or mental capabilities or lack of experience and knowledge can use this product, only if it has been installed in its intended operating position and they have been given supervision or instruction concerning use of the product in a safe way and understand the hazards involved.
- Children should not perform cleaning or user maintenance unless they are older than 8 years and supervised.
- This product is not a toy – children should be supervised to ensure that they do not play with the product.
- Always unplug the product and allow to cool fully after use and before any cleaning or maintenance.
- Normal voltage is still present in this product as long as the product is connected to the electrical source.
- If the power supply cord, plug or any part of the appliance is malfunctioning or if it has been dropped or damaged, cease using the product immediately to avoid potential injury.
- This appliance contains no user serviceable parts, only a qualified electrician should carry out repairs. Improper repairs may place the user at risk of harm.
- Keep the product and its power supply cord out of the reach of children and away from heat or sharp edges that could cause damage. This includes any parts of the product that may become hot during use and other heat emitting products.
- Keep furniture, curtains and other flammable material at least 1 metre away from the product.
- Do not run the supply cord under carpets, rugs etc. or anywhere where it may present a trip hazard.
- Do not immerse the product or plug in water or any other liquid.
- Do not operate the product with wet hands.

- Do not use this product in the immediate surroundings of a bath, a shower or swimming pool.
- Do not leave the product unattended whilst connected to the mains power supply or when in use.
- Do not remove from the mains power supply by pulling the cord; switch off and remove the plug by hand.
- Do not use this product for extended periods of time.
- Do not leave the product plugged in or operating overnight.
- Do not use the product for anything other than its intended use.
- Do not use this product outdoors.
- Do not attempt to move the product whilst it is in use.
- Do not put objects into any of the openings.
- Do not use the product with a programmer, timer, separate remote-control system or any other device that will switch the product on automatically other than that supplied with the product, as there is a risk of fire if the heater is covered or positioned incorrectly.
- Do not clean the product with abrasive chemicals or materials such as scourers as they may damage the product and impair future function. This includes insecticide and chemical solvents.
- The product should be used on a stable, heat-resistant surface.
- The product must not be located immediately below or next to a mains power supply.
- Never use accessories that are not recommended or supplied by the manufacturer. It could cause danger to the user and damage to the product.
- Use of an extension cord with the product is not recommended.
- This product is intended for domestic use only. It should not be used for commercial purposes.



CAUTION: Some parts of this product can become very hot and cause burns. Particular attention has to be given where children and vulnerable people are present. Hot surface – do not touch the hot section or heating components of the product. This product is intended only for drying textiles washed in water. Do not use this product in small rooms whilst occupied by persons incapable of leaving the room on their own, unless constant supervision is provided.



WARNING: In order to avoid a hazard for very young children, this product should be installed so that the lowest heated rail is at least 600 mm above the floor. Do not exceed maximum load of 15 kg.

Care and maintenance

Before attempting any cleaning or maintenance, unplug the clothes airer from the mains power supply and allow it to cool fully.

Clean the clothes airer with a soft, damp, lint-free cloth and dry thoroughly.

Do not immerse the clothes airer in water or any other liquid.

Do not use harsh or abrasive detergents or scourers.

Instructions for use

Assembling the clothes airer

Before plugging the clothes airer into the mains power supply, the clothes airer needs to be assembled.

STEP 1: Rest the airer main unit upside down on the floor with the foldable wings underneath and the inner and outer sliding clips facing upwards.

STEP 2: Identify the wider of the two legs on the foldable stand and fasten this to the outer sliding clips on the main unit.

STEP 3: Fasten the narrower of the two legs onto the inner sliding clips on the main unit; then lift up the clothes airer and flip it the right way up so that it stands on the floor. Make sure the sliding clips are pushed right to the end so that they cannot move.

STEP 4: Fully open each of the foldable wings. The clothes airer can now be plugged into the mains power supply and is ready to use.



CAUTION: Take care when assembling the clothes airer, as it is possible for loose clothing or fingers to become trapped and cause injury to the user.

Operating the clothes airer

Once the clothes airer has been assembled following the instructions in the section entitled '**Assembling the clothes airer**', it is ready to use.

STEP 1: Hang up the damp garments as required. As much water as possible should be removed prior to hanging, as this will prevent the clothes airer collapsing under the total weight of the wet fabric.

STEP 2: Once the clothes airer is loaded, plug it in and turn it on using the on/off switch; this will illuminate indicating that the clothes airer is turned on.