

STEP 4: Turn off the fan heater by turning the heat control dial to (O).

Thermostat dial

When the room reaches the desired temperature, slowly turn the thermostat dial anticlockwise until it clicks and the power indicator light switches off. The fan heater will temporarily switch off.

If the room temperature falls below the desired temperature, the heater and power indicator light will turn on again until the room temperature reaches the desired temperature.



NOTE: The heat indicator light will illuminate whilst the fan heater is warming up and will cycle on and off during use to show that the correct temperature is being maintained. The fan heater will only produce heat if the adjustable thermostat is at a higher temperature than the room temperature.

Storage

Check that the fan heater is completely cool before storing in a cool, dry place. Never wrap the cord tightly around the fan heater; wrap it loosely to avoid causing damage.

Specifications

Product code: EH0569S

Voltage: 220–240 V ~ 50 Hz

Power: 1800–2000 W

ERP Table

Item	Symbol	Value	Unit	Item	Unit
Heat output				Type of heat input for electric storage local space heaters only	
Nominal heat output	P _{nom}	1.8–2;	kW	Manual heat charge control, with integrated thermostat	No
Nominal heat output	P _{min}	0.015;	kW	Manual heat charge control with room and/or outdoor temperature feedback	No
Maximum continuous heat output	P _{max,c}	2;	kW	Electronic heat charge control with room and/or outdoor temperature feedback	No
Auxiliary electricity consumption				Fan assisted heat output	No
At nominal heat output	e _{lmax}	n/a	kW	Type of heat output/room temperature control	
At minimum heat output	e _{lmin}	n/a	kW	Single stage heat output an no room temperature control	No
In standby mode	e _{lsb}	n/a	kW	Two or more manual stages, no room temperature control	No
				With mechanic thermostat room temperature control	Yes
				With electronic room temperature	No
				Electronic room temperature control plus day timer	No
				Electronic room temperature control plus week timer	No
Other control options					
				Room temperature control, with presence detection	No
				Room temperature control, with open window detection	No
				With distance control option	No
				With adaptive start control	No
				With working time limitation	No
				With black bulb sensor	No



Disposal of Waste Batteries and Electrical and Electronic Equipment

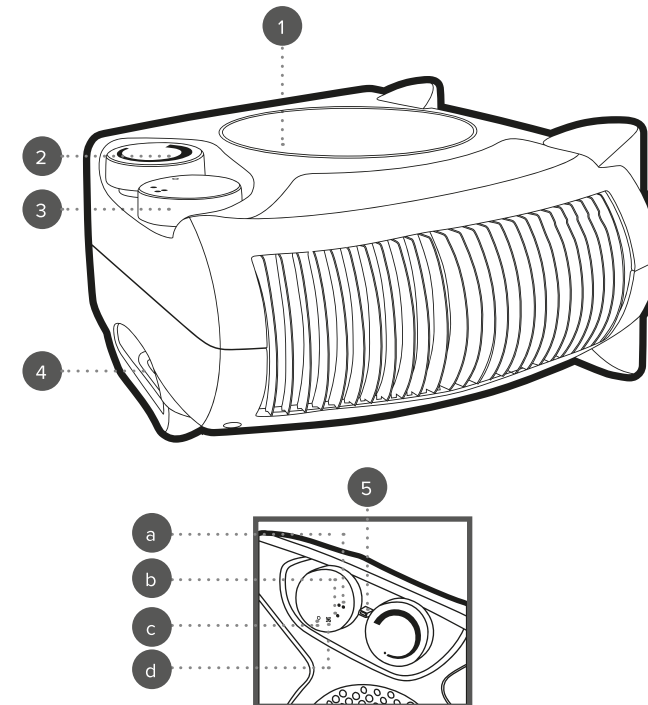


This symbol on the product, its batteries or its packaging means that this product and any batteries it contains must not be disposed of with household waste. Instead, it is the user's responsibility to hand this over to an applicable collection point for the recycling of batteries and electrical and electronic equipment. This separate collection and recycling will help to conserve natural resources and prevent potential negative consequences for human health and the environment due to the possible presence of hazardous substances in batteries and electrical and electronic equipment, which could be caused by inappropriate disposal. Some retailers provide take-back services which allow the user to return exhausted equipment for appropriate disposal. **It is the user's responsibility to delete any data on electrical and electronic equipment prior to disposal.** For more information about where to drop batteries, electrical and electronic waste off, please contact the local city/municipality office, household waste disposal service, or the retailer.

User manual

Flat fan heater

This product is only suitable for well-insulated spaces or occasional use.



1. Fan heater main unit
2. Adjustable thermostat
3. Heat control dial
 - a. High heat setting (3000 W) (●●)
 - b. Low heat setting (1500 W) (●)
- c. Power off (O)
- d. Fan control (cool air) (🌀)
4. Carry handle
5. Power indicator light

Manufactured by:
Ultimate Products UK Ltd.,
Victoria Street, Manchester OL9 0DD. **UK.**
Ultimate Products Europe Ltd.,
19 Baggot Street Lower, Dublin D02 X658. **ROI.**

MADE IN CHINA.

CD220616/MD040424/V8



Please retain instructions for future reference.

WARNING – READ BEFORE USE

When using the product for the first time, a slight odour and a small amount of smoke may be emitted. This is normal and will soon subside. Allow for sufficient ventilation around the product.

Before each use, check the product for damage. If there is any sign of damage or if the fan blades are not rotating, cease using immediately and dispose of the product.

Do not leave the product unattended while in use.

This product can be used for no longer than 4 hours, after which it must be switched off and allowed to cool fully before it is used again.

The product must be used on a stable, heat-resistant surface. Ensure that the product has at least 1 metre of free space in all directions before use; make sure that any flammable materials, such as furniture, are at least 1 metre away from the product when in use.

Do not install in dusty environments.

Do not use heating appliances with an extension cable.

SAFETY INSTRUCTIONS

- When using electrical products, basic safety precautions should always be followed.
- Check that the voltage indicated on the rating plate corresponds with that of the local network before connecting the product to the mains power supply.
- Children aged from 8 years and people with reduced physical, sensory or mental capabilities or lack of experience and knowledge can use this appliance, only if they have been given supervision or instruction concerning use of the appliance in a safe way and understand the hazards involved.
- Children should not perform cleaning or user maintenance unless they are older than 8 years and supervised.
- This product is not a toy – children should be supervised to ensure they do not play with the product.
- It is imperative to unplug the product and allow it to fully cool after use and before any cleaning or maintenance.
- Nominal voltage is still present in this product as long as the product is connected to the electrical source.
- If the power supply cord, plug or any part of the appliance is malfunctioning or if it has been dropped or damaged, cease using the product immediately to avoid potential injury.
- This appliance contains no user serviceable parts, only a qualified electrician should carry out repairs.
- Improper repairs may place the user at risk of harm.
- Keep the product and its power supply cord out of the reach of children and away from heat or sharp edges that could cause damage. This includes any parts of the product that may become hot during use and other heat emitting products.

- Keep furniture, curtains and other flammable material at least 1 metre away from the product.
- Do not run the supply cord under carpets, rugs etc. or anywhere where it may present a trip hazard.
- Do not immerse the product or plug in water or any other liquid.
- Do not operate the product with wet hands.
- Do not use this product in the immediate surroundings of a bath, a shower or swimming pool.
- Do not leave the product unattended whilst connected to the mains power supply or when in use.
- Do not remove from the mains power supply by pulling the cord; switch off and remove the plug by hand.
- Do not use this product for extended periods of time.
- Do not leave the product plugged in or operating overnight.
- Do not use the product for anything other than its intended use.
- Do not block the air intake of the product; place in an open, well-ventilated space.
- Do not use this product outdoors.
- Do not attempt to move the product whilst it is in use.
- Do not put objects into any of the openings.
- Do not use the product with a programmer, timer, separate remote-control system or any other device that will switch the product on automatically, other than that supplied with the product, as there is a risk of fire if the heater is covered or positioned incorrectly.
- Do not clean the product with abrasive chemicals or materials such as scourers as they may damage the product and impair future function. This includes insecticide and chemical solvents.
- Only lift the product with the carry handles provided.
- The product should be used on a stable, heat-resistant surface.
- Do not use on carpets, rugs or other flammable floor-based textiles.
- Do not place near or under flammable materials, such as curtains, shelves, loose wallpaper, furniture or combustible materials.
- The product must not be located immediately below or next to a mains power supply.
- Never use accessories that are not recommended or supplied by the manufacturer. It could cause danger to the user and damage to the product.
- Use of an extension cord with the product is not recommended.
- This product is intended for domestic use only. It should not be used for commercial purposes.



CAUTION: Some parts of this product can become very hot and cause burns. Particular attention has to be given where children and vulnerable people are present.
Hot surface – do not touch the hot section or heating components of the product.



WARNING: In order to avoid overheating, do not cover the product. Do not use this product in small rooms whilst occupied by persons incapable of leaving the room on their own, unless constant supervision is provided.

Thermal cut-out device

The fan heater is fitted with a thermal safety cut-out device, built in to prevent it from overheating. Should the fan heater start to overheat, the thermal safety cut-out system will automatically operate and the heat settings will switch off. If this happens:

STEP 1: Switch off the fan heater by turning the heat control dial to (O).

STEP 2: Check that the fan heater is unplugged from the mains power supply and allow it to cool for approx. 15 minutes.

STEP 3: Clear any blockages present on the vent, being careful not to damage the fan heater.

STEP 4: Plug in and switch on the fan heater at the mains power supply.



CAUTION: In order to avoid a hazard, due to inadvertent resetting of the thermal cut-out, this fan heater must not be supplied through an external switching device such as a timer or connected to a circuit that is regularly switched on and off by the utility.

Care and maintenance

Always unplug the fan heater from the mains power supply and allow to cool sufficiently before performing any cleaning or maintenance.

Wipe the fan heater with a soft, damp cloth and allow to dry thoroughly.

Do not use harsh or abrasive cleaning solvents, as these may damage the finish of the fan heater.

Instructions for use

Before first use

STEP 1: Check that there is no damage to the fan heater.

STEP 2: Position the fan heater on a flat, stable, heat-resistant surface in an open space, at least 1 metre away from furniture, curtains or any other flammable materials. Do not block the air intake on the back of the fan heater.



NOTE: When using the fan heater for the first time, a slight odour may be emitted. This is normal and will soon subside. Allow for sufficient ventilation around the fan heater.

Using the fan heater

STEP 1: Plug in and switch on the fan heater at the mains power supply.

STEP 2: Turn the adjustable thermostat to the maximum setting.

STEP 3: To turn on the fan heater, select a heat setting by turning the heat control dial in a clockwise direction to the desired position; (☼) will emit cool air, whilst (●) and (●●) will produce hot air with a low heat setting (1000 W) and a high heat setting (2000 W) respectively.